



## Key Features

- Compact, rugged and lightweight
- Assisted pointing features for rapid satellite acquisition
- Assembly to signal-lock < 5 minutes
- Tool-free operation
- Reconfigurable for any terrain
- Sealed RF chain
- All passive cooling for improved reliability
- Carbon fiber reflectors for light weight and durability



### EIRP

50.5 dBW @ 30.0GHz

### G/T

17.0 dB/K @ 20.2GHz 30°E  
clear skies

### Weight (without transport case)

19.2 Kg



## ATOM65GX 65cm Ka-band Flyaway Terminal for Global Xpress®



This compact terminal is lightweight, rugged and quick to deploy and stow. The design is simple and robust for fast operation in tough environments. The dual-offset antenna with 65cm primary reflector provides maximum efficiency and best possible radiation characteristics for improved data throughput and availability. It employs a 4-piece segmented, carbon fiber reflector that deploys quickly and accurately with no tools. The ATOM 65 is pre-approved for out-of-the-box compatibility with Inmarsat's Global Xpress Commercial (29-30 GHz) Ka-Band network. The integrated Ka transceiver houses a BUC, PLL LNB and all associated waveguide components in an IP sealed compact unit requiring no cooling fans. The manual mount provides means to adjust the antenna pointing angle and interfaces to the tripod by way of quick-release catch. The integrated modem module includes pointing assistance features to ease rapid satellite acquisition. The tripod is manufactured from aluminum with adjustable legs which provide a low profile and a wide operational footprint while minimizing stowed length.

[www.skywaretechnologies.com](http://www.skywaretechnologies.com)

UK: +44 161 2600 195

[sales@skywaretechnologies.com](mailto:sales@skywaretechnologies.com)

SKTFA\_GX-002.12\_Aug16  
© 2016 Skyware Technologies

**CHARACTERISTIC SPECIFICATION**

**Electrical**

|                                      |  |
|--------------------------------------|--|
| Transceiver Output Power             | 5W   |
| Power Input                          | 90 - 264 VAC, 47 - 63 Hz, 1.5 meter regional AC mains cable included |
| DC Input Voltage                     | 18 - 36V   |
| Power Consumption                    | 250W Max   |
| Operating Frequency Rx               | 19.2 - 20.2 GHz  |
| Operating Frequency Tx               | 29 - 30 GHz  |
| G/T - (30° elevation angle)@ 20.2GHz | 17.0 dB/K  |
| EIRP - P1dB @30 GHz                  | 50.5 dBW   |
| Tx conversion gain                   | 54 - 62 dB   |
| Tx Band switching                    | Yes  |
| Rx conversion gain                   | 55 - 65 dB   |

**Mechanical**

|                             |                           |
|-----------------------------|---------------------------|
| Construction multi-segment  | 4 segments - carbon fibre |
| Coarse azimuth adjustment   | 360° on floor             |
| Fine azimuth adjustment     | ± 35° on tripod           |
| Coarse elevation adjustment | 10° - 90°                 |
| Fine elevation adjustment   | ±5°, one turn =0.42°      |

**Modem**

|                       |                                      |
|-----------------------|--------------------------------------|
| Modem                 | outdoor modem (D300 x H95 x W310 mm) |
| Network port          | 3 x RJ45 (100Base-T Ethernet)        |
| Console port          | 1 x RJ45 (RS-232 Serial)             |
| Modem management port | 1 x RJ45 (100Base-T Ethernet)        |
| Cables                | 1 metre IFL and M&C cables included  |

**ENVIRONMENTAL**

|                                 |                                |
|---------------------------------|--------------------------------|
| Temperature (operational)       | -25° to +55°C (-13° to +131°F) |
| Temperature (storage)           | -40° to +80°C (-40° to +176°F) |
| Solar loading                   | 500W/m <sup>2</sup>            |
| Relative humidity (operational) | 5 - 95%                        |
| Salt environment                | 750 hrs per ASTM B-117         |
| Vibration (survival)            | ETSI 300 019, Class 4.1 E      |
| Shock (survival)                | ETSI 300 019, Class 4.1 E      |
| Ingress protection              | IP65                           |
| Wind-load (operational)         | 30 mph (tethered)              |
| Wind-load functional (survival) | 80 mph (tethered)              |
| Altitude functional (survival)  | 5000m                          |

**WEIGHTS**

|                                    |                                    |
|------------------------------------|------------------------------------|
| Terminal weight                    | 19.2 kg                            |
| Standard hard transport case*      | 36 kg (820 x 730 x 400 mm)         |
| Optional IATA compliant cases (2)* | 20 kg & 23 kg (750 x 450 x 380 mm) |

\*loaded

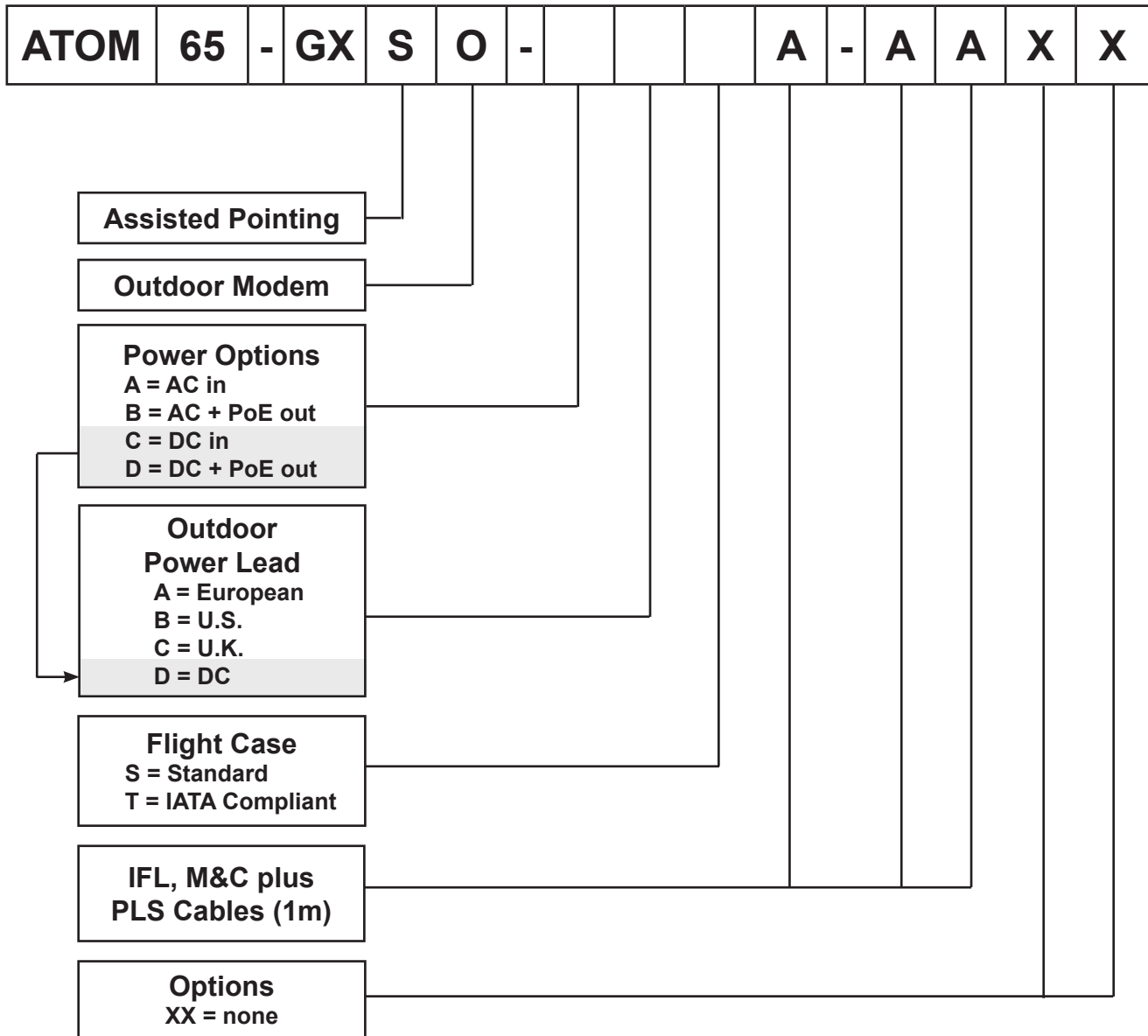


Fig. Standard hard transport case



# ATOM65GX 65cm Ka-band Flyaway Terminal for Global Xpress® with Assisted Pointing

## Terminal Part Number Configurator



Example: ATOM65-GXAO-**ACTA**-AAXX defines a 65cm ATOM Global Xpress® Flyaway Auto-Acquire Terminal with an outdoor modem, AC powered with UK power lead, IATA compliant flight case, plus 1m IFL, M&C and PLS cables and no other options.

Note: An Excel based configurator is also available from our website [www.skywaretechnologies.com](http://www.skywaretechnologies.com)