



Key Features

- Sealed RF chain - includes matched feed-horn & polarizer
- All passive cooling for improved reliability
- 5 watts transmit power
- Pointing accuracy <math>< 0.1^\circ</math>
- Precision galvanised Az/EI mount



EIRP

59.5 dBW @ 29.5GHz, P1dB

G/T

26.1 dB/K @ 19.7GHz 30°Ei
clear skies



SKY180GX 180cm Ka-band Fixed Terminal for Global Xpress®



The SKY180GX terminal for Global Xpress is an enterprise product suitable for fixed and semi-fixed applications. It is made up of a 1.8m one-piece precision composite reflector, an integrated Ka transceiver and an indoor rack-mounted VSAT modem. The SKY180GX is pre-approved for out-of-the-box compatibility with Inmarsat's Global Xpress Commercial (29-30 GHz) Ka-Band network.

The integrated Ka transceiver houses a 5 watt BUC, PLL LNB and waveguide components in a sealed, IP-rated unit for protection against the environment and is fanless in order to improve reliability. The reflector is manufactured from a proprietary compound developed especially for Ka-Band applications to ensure an accurate surface profile and robust mechanical properties. The heavy-duty back-structure and Az/EI mount provide rigid support for the reflector and incorporate fine Azimuth and Elevation mechanisms with features to minimize backlash and lockdown errors.

- *Proprietary composite reflector for maximum Ka-Band performance*
- *RF chain housed in sealed unit for improved environmental ruggedness*
- *Precision Az/EI mechanism to minimize backlash and lockdown errors for accurate pointing*

CHARACTERISTIC SPECIFICATION

Electrical

Transceiver Output Power	5W
Power Input	DC 24 V, fed from the modem
Power Consumption	250W Max
Operating Frequency Rx	19.2 - 20.2 GHz
Operating Frequency Tx	29 - 30 GHz
G/T - (30° elevation angle)@ 19.7 GHz	26.1 dB/K
EIRP - P1dB @29.5 GHz	59.5 dBW
Tx conversion gain	54 - 62 dB
Tx Band switching	Yes
Rx conversion gain	55 - 65 dB

Mechanical

Construction	Glass fiber reinforced polyester SMC
Mast pipe size	141mm (5.56") outer diameter
Reflector dimensions	1.82m x 1.97m
Coarse azimuth adjustment	360° on mast
Fine azimuth adjustment	+/- 10° on AzEI
Coarse elevation adjustment	5 -90° continuous
Fine elevation adjustment	+/-5° on AzEI
Pointing accuracy	0.1°
Antenna weight (not including mast pipe)	111 kg

Modem

Modem	Rack mountable indoor or outdoor modem, see configurator
Modem weight (without AC/DC power pack)	4.6 kg
Modem dimensions	483 x 44 x 272 mm (w x h x d)
Network port	3 x RJ45 (100Base-T Ethernet)
Console port	1 x RJ45 (RS-232 Serial)
Modem management port	1 x RJ45 (100Base-T Ethernet)
Included cables	M&C & IFL cables, 2 m AC/DC power cable fitted with regional plug

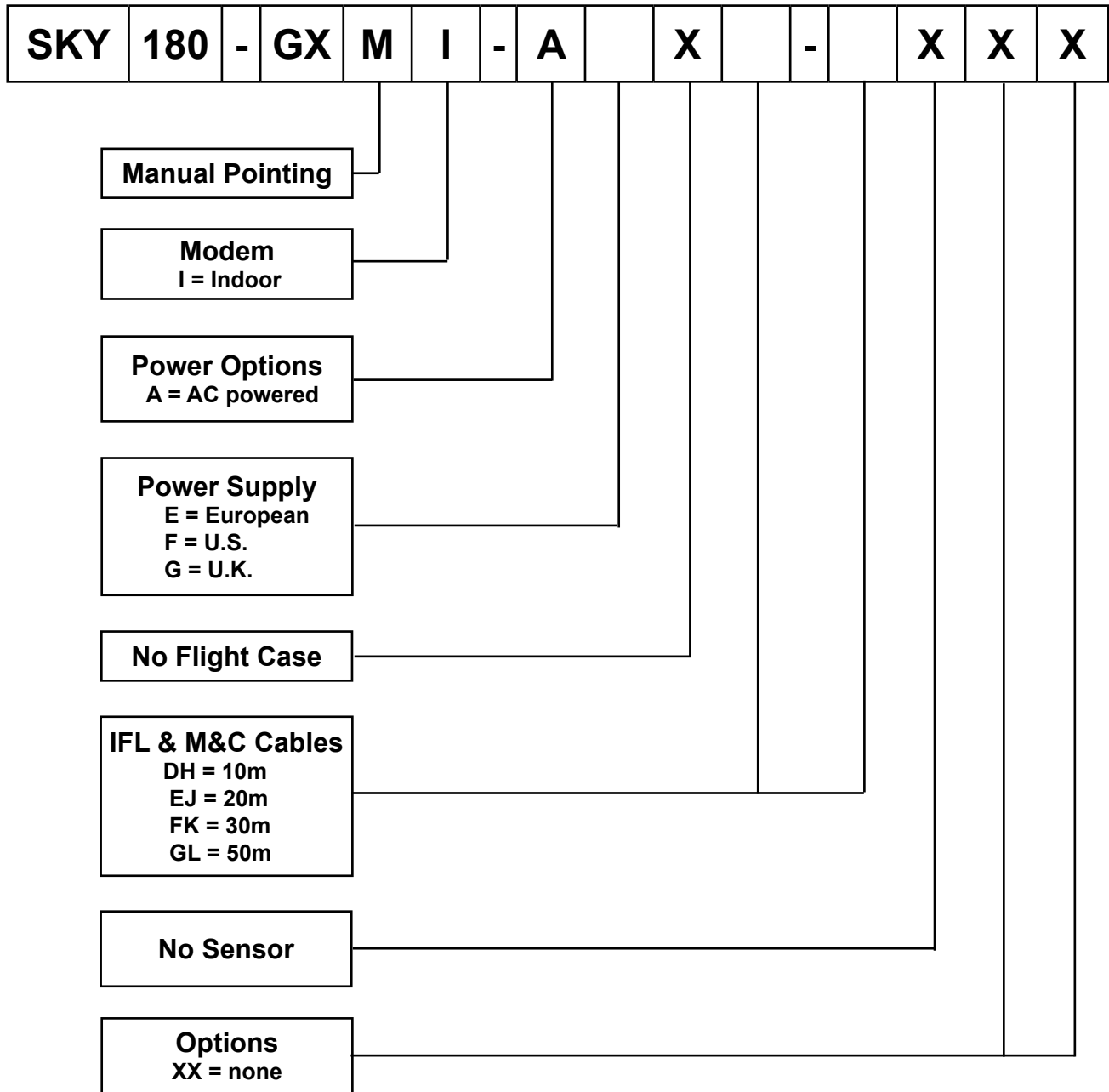
ENVIRONMENTAL

Temperature (operational)	-25° to +55°C (-13° to +131°F)
Temperature (storage)	-40° to +80°C (-40° to +176°F)
Solar loading	1130W/m ²
Relative humidity	5 - 95%
Salt environment	750 hrs per ASTM B-117
Vibration (survival)	ETSI 300 019, Class 4.1 E
Shock (survival)	ETSI 300 019, Class 4.1 E
Ingress protection	IP65
Wind-load (operational)	45 mph (72.4 km/h)
Wind-load functional (survival)	80 mph (130 km/h)
Altitude functional (survival)	5000 m
Corrosion resistance	Suitable for atmospheric conditions encountered in industrial & coastal regions



SKY180GX Ka-band Fixed Terminal, Manual Pointing with Indoor Modem for Global Xpress®

Terminal Part Number Configurator

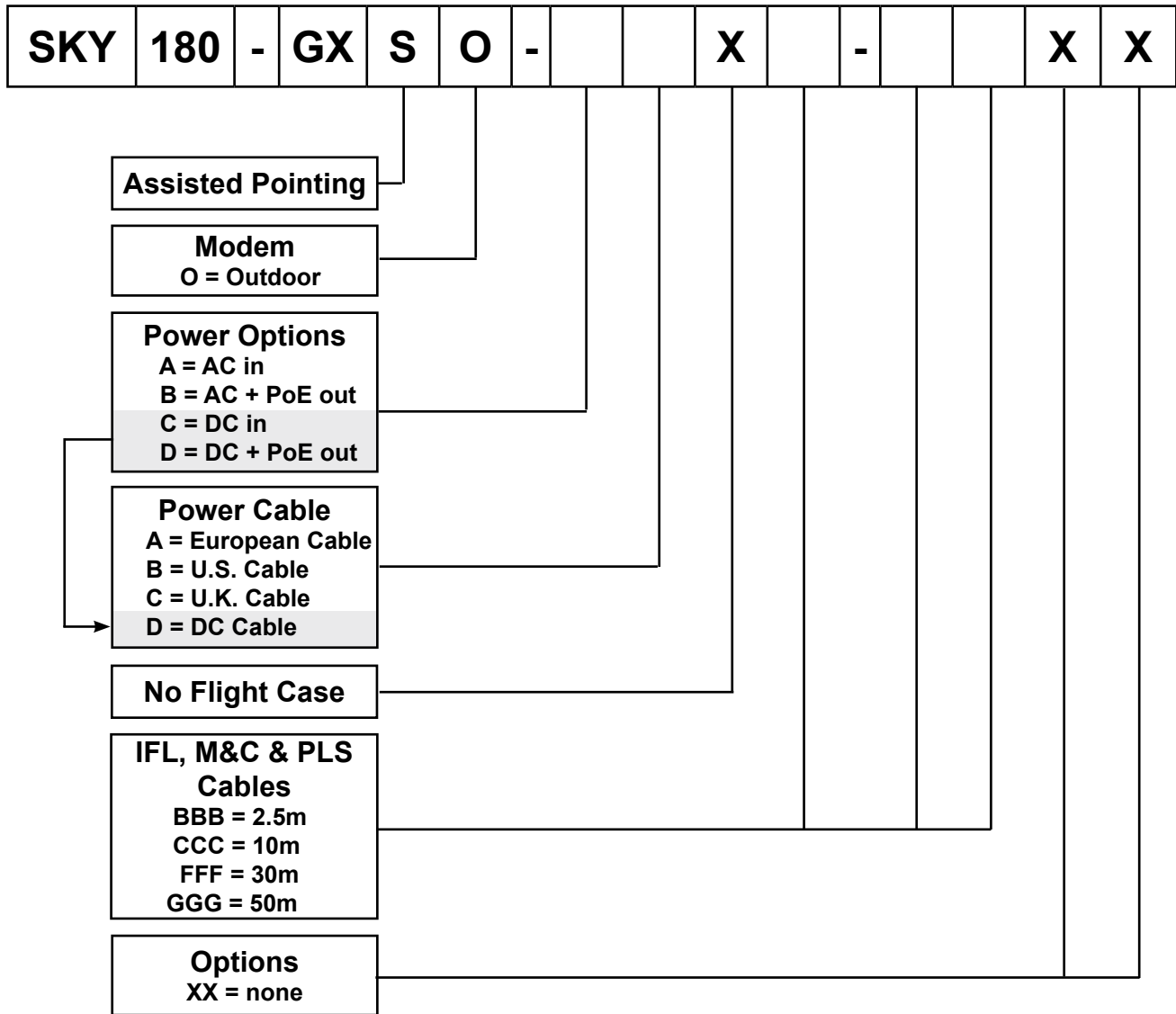


Note: An Excel based configurator is also available from our website www.skywaretechnologies.com



SKY180GX Ka-band Fixed Terminal, Assisted Pointing with Outdoor Modem for Global Xpress®

Terminal Part Number Configurator



Note: More feature permutations are available, see our Excel based configurator available from our website www.skywaretechnologies.com for all possible options.