



## Key Features

- Sealed RF chain - includes matched feed-horn & polarizer
- All passive cooling for improved reliability
- 5 watts transmit power
- Fine azimuth & elevation adjustment
- Pointing accuracy <math>< 0.1^\circ</math>



### EIRP

54.0 dBW @ 29.5GHz, P1dB

### G/T

20.9 dB/K @ 19.7GHz 30°EI  
clear skies



# SKY98GX 98cm Ka-band Fixed Terminal for Global Xpress®



The SKY98GX terminal for Global Xpress is an enterprise grade product suitable for fixed and semi-fixed applications. It is made up of a one-piece 98cm pre-galvanized steel antenna, an integrated Ka transceiver, and an indoor VSAT modem. The SKY98GX is pre-approved for out-of-the-box compatibility with Inmarsat's Global Xpress Commercial (29-30 GHz) Ka-Band network.

The Ka transceiver includes a 5 watt BUC and wideband PLL LNB. The product is built into an integrated compact housing and is matched to a high performance feed for optimum RF performance.

The pressed steel reflector assures the surface accuracy needed for Ka-Band performance. Pre-galvanized steel with a powder coat finish guarantees excellent corrosion resistance and long life. The die-cast back structure provides for precision alignment of the reflector and support of the RF assembly without distortion.

- Precision pressed steel reflector
- Long focal length optics for low cross-pol or beam squint
- Integrated OMT and TRF for best EIRP and G/T
- Precision Az/EI mechanism to minimize backlash and lockdown errors for accurate pointing
- Optional non-penetrating roof mount, or ground pole - 60mm (2.38") outer diameter mast

[www.skywaretechnologies.com](http://www.skywaretechnologies.com)

UK: +44 161 2600 195

[sales@skywaretechnologies.com](mailto:sales@skywaretechnologies.com)

SKTFA\_GX-003.7\_Aug16  
© 2016 Skyware Technologies

## DATA SHEET

SKY98GX

Fixed Ka-Band Terminal for Global Xpress®

### CHARACTERISTIC SPECIFICATION

#### Electrical

Transceiver Output Power	5W
Power Input	DC 24 V, fed from the modem
Power Consumption	250W Max
Operating Frequency Rx	19.2 - 20.2 GHz
Operating Frequency Tx	29 - 30 GHz
G/T - (30° elevation angle)@ 19.7 GHz	20.9 dB/K
EIRP - P1dB @29.5 GHz	54.0 dBW
Tx conversion gain	54 - 62 dB
Tx Band switching	Yes
Rx conversion gain	55 - 65 dB

#### Mechanical

Construction	Powder coated steel
Mast pipe size	Outer diameter 60mm (2.38")
Reflector dimensions	96cm x 95cm
Coarse azimuth adjustment	360° on mast
Fine azimuth adjustment	+/- 5° on AzEl
Coarse elevation adjustment	5 -90°
Fine elevation adjustment (continuous)	0.6° - 0.7° per turn
Pointing accuracy	0.1°
Antenna weight (not including mast pipe)	15.5 kg

#### Modem

Modem	Rack mountable indoor or outdoor modem, see configurator
Modem weight (without AC/DC power pack)	4.6 kg
Modem dimensions	483 x 44 x 272 mm (w x h x d)
Network ports	3 x RJ45 (100Base-T Ethernet)
Console port	1 x RJ45 (RS-232 Serial)
Modem management port	1 x RJ45 (100Base-T Ethernet)
Included cables	M&C & IFL cables, 2 m AC/DC power cable fitted with regional plug

### ENVIRONMENTAL

Temperature (operational)	-25° to +55°C (-13° to +131°F)
Temperature (storage)	-40° to +80°C (-40° to +176°F)
Solar loading	1130W/m <sup>2</sup>
Relative humidity	5 - 95%
Salt environment	750 hrs per ASTM B-117
Vibration (survival)	ETSI 300 019, Class 4.1 E
Shock (survival)	ETSI 300 019, Class 4.1 E
Ingress protection	IP65
Wind-load (operational)	45 mph (72.4 km/h)
Wind-load functional (survival)	80 mph (130 km/h)
Altitude functional (survival)	5000 m
Corrosion resistance	Suitable for atmospheric conditions encountered in industrial & coastal regions

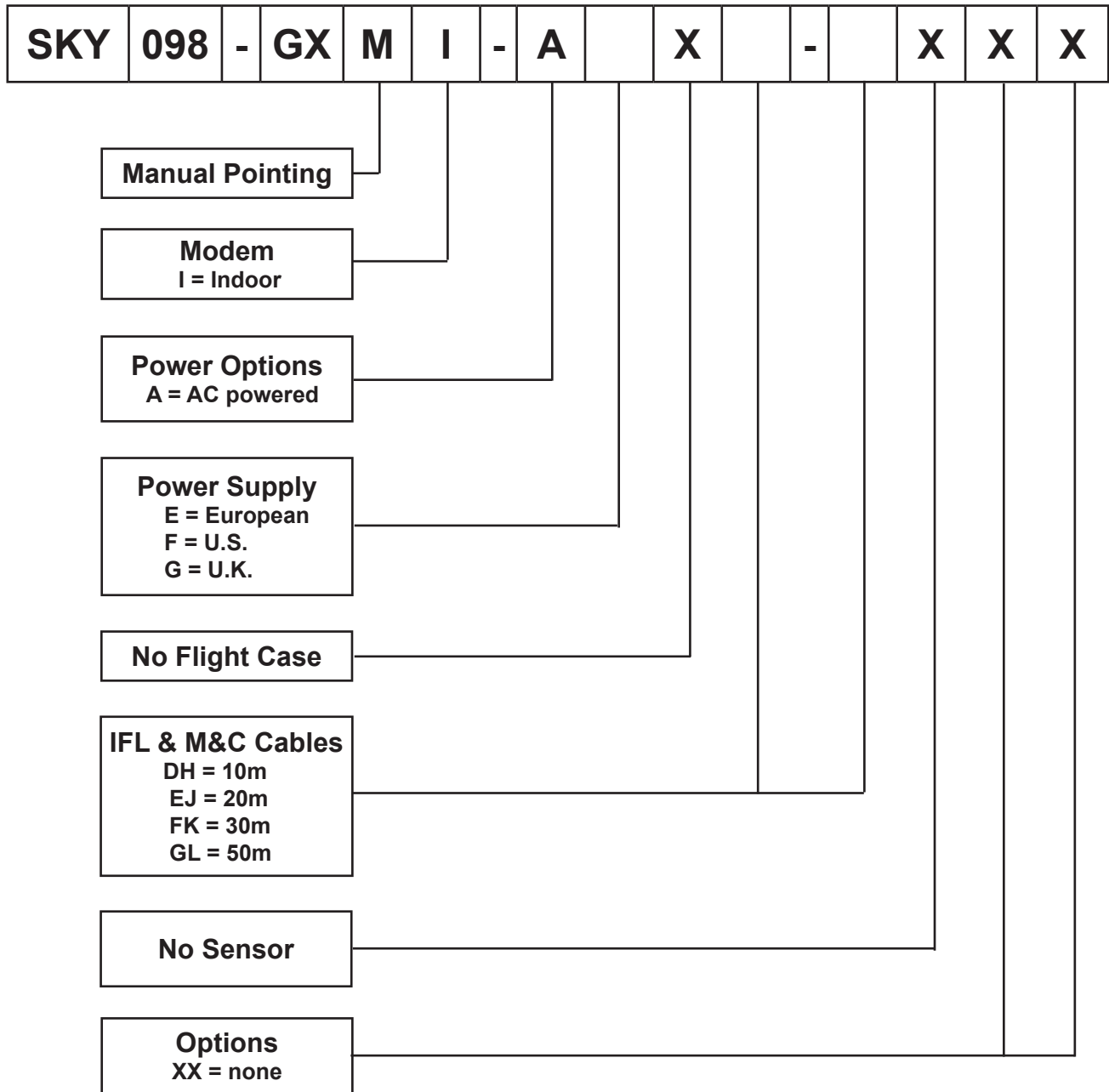
All designs, specifications and availabilities of products and services presented in this bulletin are typical and subject to change without notice.  
SKTVS\_GX-003.7\_Aug16  
© 2016 Skyware Technologies

Skyware Technologies products are protected by one or more patents. Patent information is available at [www.skywaretechnologies.com/legal](http://www.skywaretechnologies.com/legal)



# SKY98GX Ka-band Fixed Terminal, Manual Pointing with Indoor Modem for Global Xpress®

## Terminal Part Number Configurator

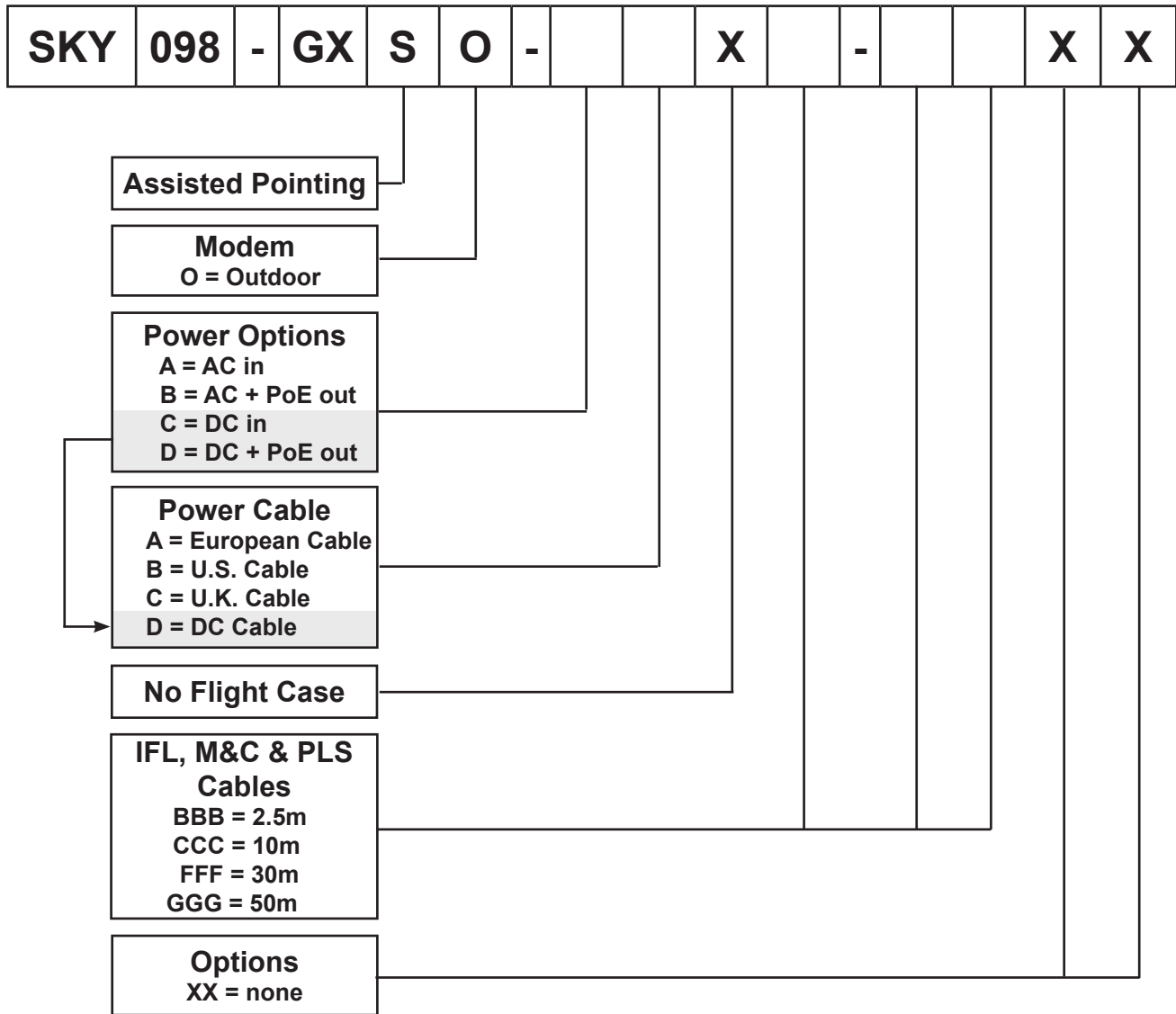


Note: An Excel based configurator is also available from our website [www.skywaretechnologies.com](http://www.skywaretechnologies.com)



# SKY98GX Ka-band Fixed Terminal, Assisted Pointing with Outdoor Modem for Global Xpress®

## Terminal Part Number Configurator



Note: More feature permutations are available, see our Excel based configurator available from our website [www.skywaretechnologies.com](http://www.skywaretechnologies.com)