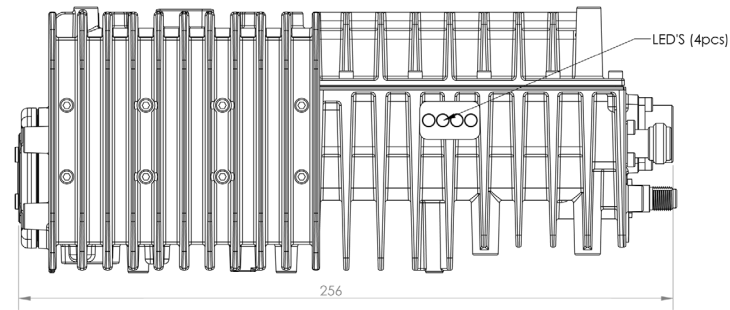
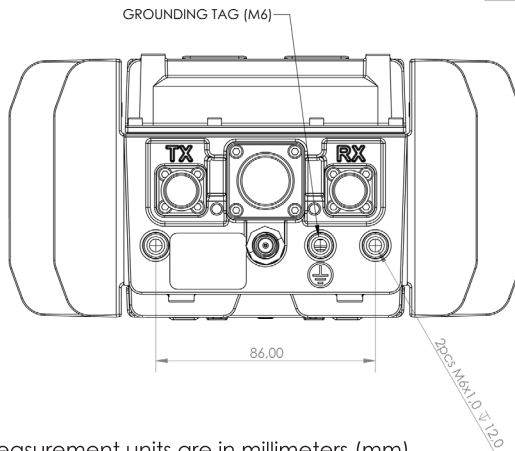
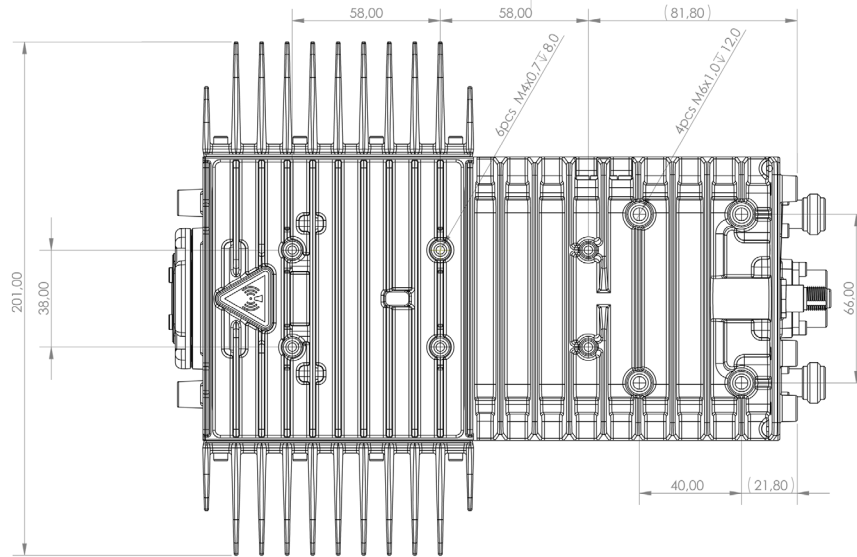
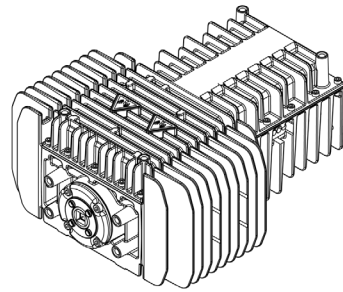




DRC35F99CF Universal Ka-Band Transceiver

Part Number 3112-298-05821



Unless otherwise noted measurement units are in millimeters (mm)

Skyware Technologies

Kreuzweg 60, 47809 Krefeld, Germany

+49 2151 5350 258 • info@skywaretechnologies.com

www.skywaretechnologies.com

All designs, specifications and availabilities of products and services presented in this bulletin are typical and subject to change without notice.

SKTSE-017.DR1

© 2014 Skyware Technologies